

# KMC-Fast (Type 1 & 2)

## DESCRIPTION

The new KMC- Fast box is used as a termination point for the feeder cable to connect with drop cable in FTTx communication network system. The fiber splicing, splitting, distribution can be done in this box, and meanwhile it provides solid protection and management for the FTTx network building.



## FEATURES

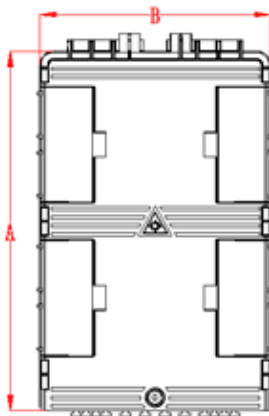
- 1 - Total enclosed structure;
- 2 - Material: PC+ABS, wet-proof, water-proof, dust-proof, anti-aging, protection level up to IP65;
- 3 - Clamping for feeder cable and drop cable, fiber splicing, fixation, storage, distribution...etc all in one.
- 4 - Cable, pigtails, patch cords are running through own path without disturbing each other, cassette type SC/LC/PLC adaptor installation, easy maintenance;
- 5 - Distribution panel can be flipped up, feeder cable can be placed by expression port, easy for maintenance and installation;
- 6 - Can be installed by the way of wall-mounted or poled-mounted, suitable for both indoor and outdoor uses;

## SPECIFICATION

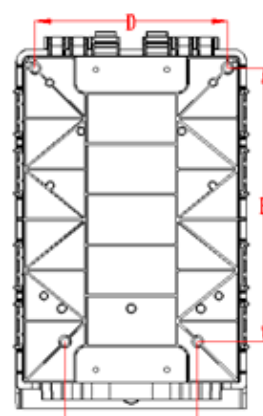
Environmental requirement	Main technical datasheet
Working temperature: -40°C ~ +85°C	Insertion loss: ≤0.2dB
Relative humidity: ≤85% (+30°C)	UPC return loss: ≥50dB
Atmospheric pressure: 70KPa ~ 106Kpa	APC return loss: ≥60dB
Life of insertion and extraction: >1000 times	
Thunder-proof technical datasheet	
The grounding device is isolated with the box, isolation resistance is less than 2x10 <sup>4</sup> MΩ/500V (DC); IR≥2x10 <sup>4</sup> MΩ/500V	
The withstand voltage between grounding device and cabinet is no less than 3000V (DC) /min, no puncture, no flashover; U≥3000V	

## PARAMETER

Model	Description	Size (Pic 1)	Max Capacity	Installation Size (Pic 2)	Cable entry
		A*B*C (mm)	SC	D*E*F (mm)	
Fast-1	Splitter Box	330*210*87	16	175.5*121*250	Express port
Fast-2	Splitter Box	330*210*87	16	175.5*121*250	Express port



Box Size

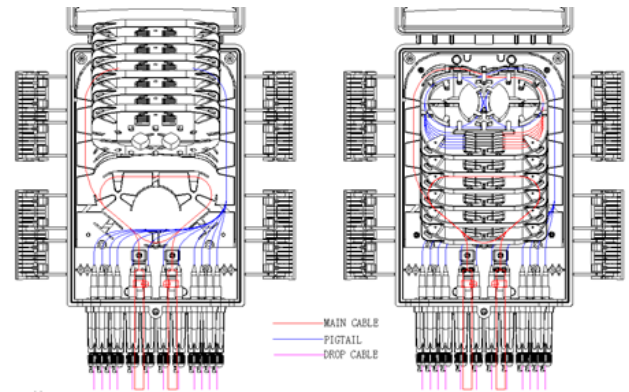
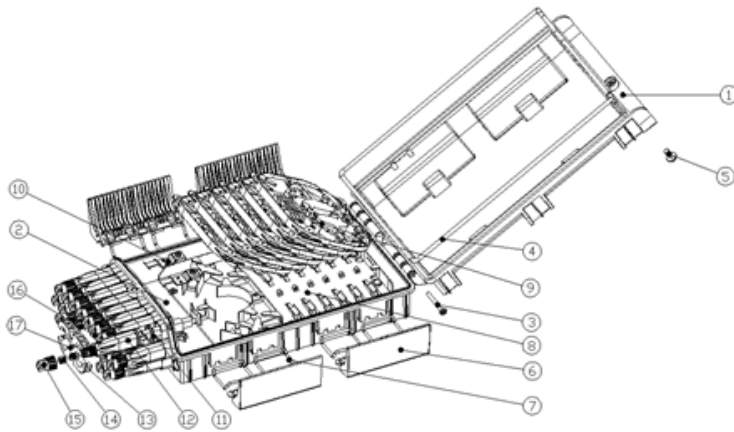


Installation Size



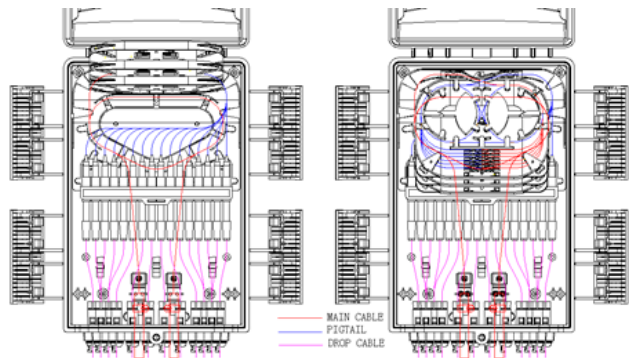
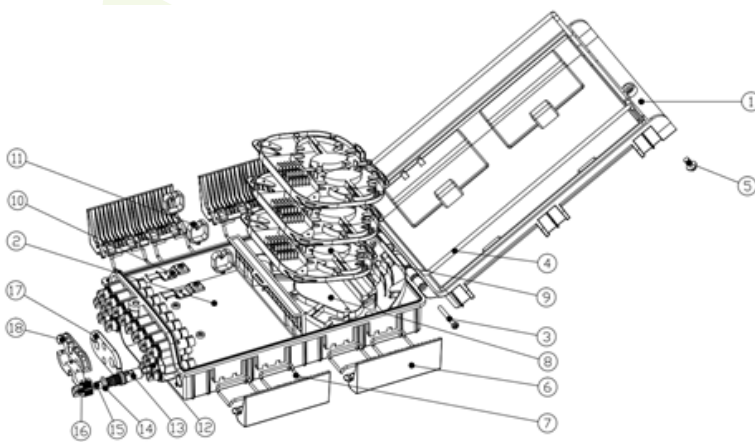
Ofp saves itself the right to modify his products without previous notice  
Specifications subject to manufacture's change at any time





### KMC-Fast1 Cable ways

- |                      |                                  |                                       |
|----------------------|----------------------------------|---------------------------------------|
| 1. Lid;              | 6. Door clip;                    | 12. Adaptor protector;                |
| 2. Base;             | 7. Door clip connecting bracket; | 13. Silicon blocker;                  |
| 3. Connecting screw; | 8. Assembling plate;             | 14. Drop cable clip;                  |
| 4. Rubber seal;      | 9. Splicing cassette;            | 15. Drop cable press protector;       |
| 5. Locked bolt;      | 10. Cable holder;                | 16. Express port;                     |
|                      | 11. Water proof ring;            | 17. Express port dusty free protector |



### KMC-Fast2 Cable ways

- |                      |                                  |                                 |
|----------------------|----------------------------------|---------------------------------|
| 1. Lid;              | 6. Door clip;                    | 13. Drop cable press protector; |
| 2. Base;             | 7. Door clip connecting bracket; | 14. Water proof ring;           |
| 3. Connecting screw; | 8. Assembling plate;             | 15. Silicon blocker;            |
| 4. Rubber seal;      | 9. Splicing cassette;            | 16. Drop cable press protector; |
| 5. Locked bolt;      | 10. Cable holder;                | 17. E-shape express port-2;     |
|                      | 11. Loop ring;                   | 18. E-shape express port-1;     |
|                      | 12. Drop cable clip;             |                                 |

## INSTALLATION

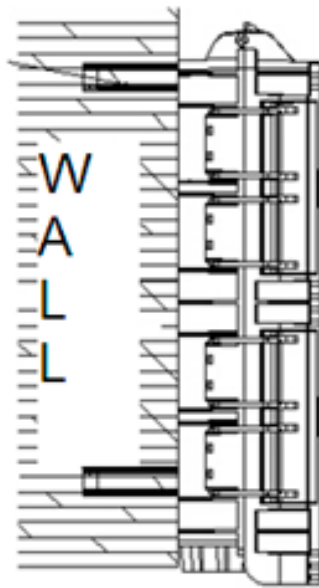
### 1. Wall-mounted installation

Drill 4 holes over the wall based on the size in table 1, place the expansion bolt  $\Phi 7.5 \times 40$ , place the box to match up the holes and use bolt to fasten.

### 2. Pole-mounted installation

Fix 1 set of the easy pole ring to the telecom pole.

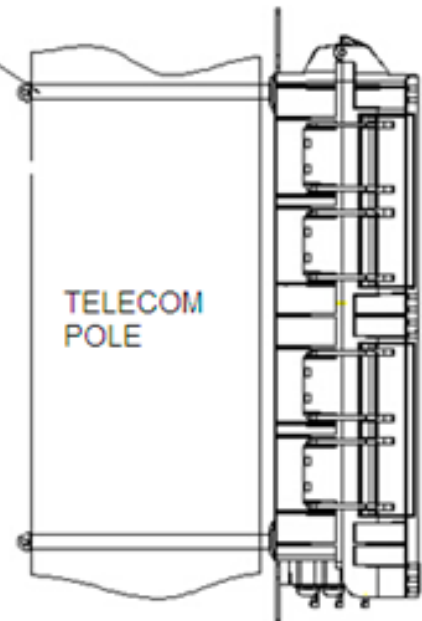
EXPANSION  
BOLT



Wall mounted installation

POLERING

(OPTIONAL)



Pole mounted installation

## ACCESSORIES

- Users' Manual\*1
- Key\*1
- Accessories Bag \* 1
- Easy pole ring\*2 (Option)