



Armario rack 19" tipo cabina

Características

Armario rack tipo cabina de 19" para entornos IT

Incluye ruedas y pies de ajuste

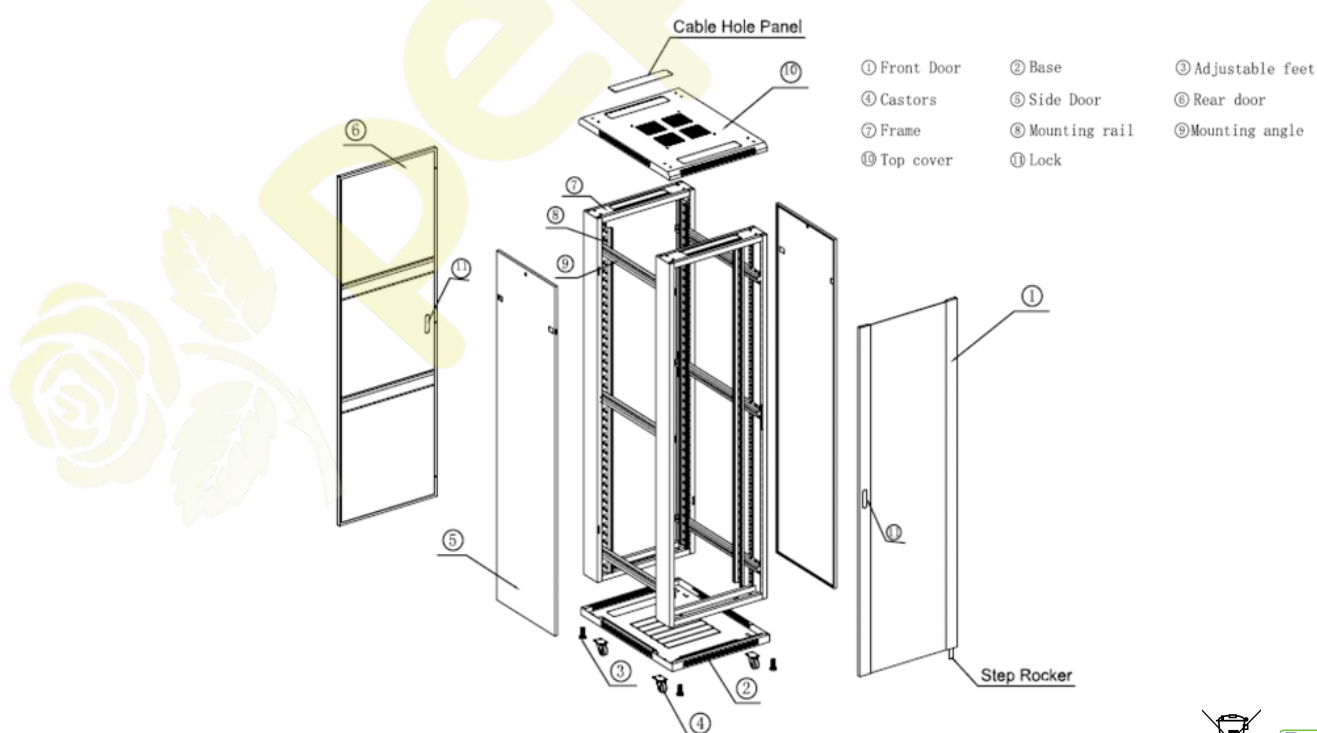
Puerta frontal de vidrio templado

Puerta trasera metálica

Puertas laterales de apertura

Capacidad de carga estática de hasta 800 kg

Dibujos técnicos



Datos técnicos

Specification	Qty.	Unit	Material	Surface Finish	Remark
Top Cover	1	PCS	SPCC Cold rolled steel 1.0 or 1.2	Powder coated	600mm depth for 1.0mm, above is 1.2mm
Bottom panel	1	PCS	SPCC Cold rolled steel 1.0 or 1.2	Powder coated	600mm depth for 1.0mm, above is 1.2mm
Mounting Profile	4	PCS	SPCC Cold rolled steel 2.0	Powder coated	
Mounting angle	6	PCS	SPCC Cold rolled steel 1.5	Powder coated	4pcs of lower 32U
Toughened glass or mesh front door	1	PCS	SPCC 1.5/Toughened glass 5.0	Powder coated	High Density vented door/ sheet steel door/ double section high density vented door optional
Frame	2	PCS	SPCC Cold rolled steel 1.2	Powder coated	/
Fan unit	1	PCS	SPCC Cold rolled steel 1.0	Powder coated	/
Fan	2	PCS	120*120*38mm	/	4pcs for over 600 width and 600 depth
Side panel	2	PCS	SPCC Cold rolled steel 1.0 or 1.2	Powder coated	600mm or 800mm depth for 1.0mm, above is 1.2mm
rear door	1	PCS	SPCC Cold rolled steel 1.0 or 1.2	Powder coated	600mm or 800mm width for 1.0mm, above is 1.2mm
Spring lock	1	PCS	/	/	with 2keys
Small round lock	1	PCS	/	Nickel coated	with 2keys
M6 Screw and Square Nuts	20	SET	steel	Zinc coated	40sets for over 32U
Adjustable feet	4	PCS	steel	Zinc coated	/
Wheels	4	PCS	/	/	/

Standard

Comply with ANSI/EIARS-310-D, DIN41491; PART1, IEC297-2, DIN41494; PART7, GB.T3047.2-92 Standard. Compatible with metric ETSI and 19 inch international standard

Features

Material: Cold Rolled Steel
 Modern stylish appearance and elegant exterior
 19" standard assembly width
 Detachable Composite Structure
 Vertical cabinet can move backwards and forwards and adjust up and down to mount instrument
 Fan heat dissipation device
 Equipped with castor and adjustment feet
 Degrease, acid picking, rust prevention and parkerizing pure water cleaning, static electricity plastic for the surface
 High strength toughened glass or perforated front door
 Maximum Static Loading Capacity: 800KGS (With adjustable feet)
 Color: Black

Accessories

Screw and Nut (serial). 4pcs castor and adjustment feet (serial) fixed shelves (optional) 2 fans for 600x600MM for cabinets (optional). 4 fans for 600x800/900/1000MM for cabinets (optional). Sliding shelf (optional). 19" PDU (optional). Others according requirements.

Packing Method

Whole package: The cabinet have been assembled. The whole cabinet are packed into one export carton.

Referencia	Código EAN	Uds. caja	Dimensiones	Peso
RAC-22660-ST	8436539910886	1	22U (60 x 60 x 104 cm)	30 kg
RAC-22680-ST	8436539912842	1	22U (80 x 60 x 104 cm)	35 kg
RAC-22610-ST	8436539915935	1	22U (100 x 60 x 104 cm)	40 kg
RAC-22880-ST	8436539919919	1	22U (80 x 80 x 104 cm)	45 kg
RAC-32660-ST	8436539915928	1	32U (60 x 60 x 161 cm)	50 kg
RAC-32680-ST	8436539915911	1	32U (80 x 60 x 161 cm)	55 kg
RAC-32610-ST	8436539915904	1	32U (100 x 60 x 161 cm)	60 kg
RAC-32880-ST	8436539919841	1	32U (80 x 80 x 161 cm)	70 kg
RAC-42660-ST	8436539915898	1	42U (60 x 60 x 198 cm)	90 kg
RAC-42680-ST	8436539915881	1	42U (80 x 60 x 198 cm)	95 kg
RAC-42610-ST	8436539911333	1	42U (100 x 60 x 198 cm)	100 kg
RAC-42880-ST	8436539910190	1	42U (80 x 80 x 198 cm)	105 kg
RAC-42810-ST	8436539915874	1	42U (100 x 80 x 198 cm)	110 kg



Made in China.



Las especificaciones e imágenes están sujetas a cambios sin previo aviso. Los nombres referidos y las marcas registradas son pertenecen a sus propietarios.