

Modular reception system

Multichannel digital transmodulators

Converting of 8 DVB-S/S2 modulated input signals into 4/8 COFDM/QAM modulated DVB-T/ISDB-T/DVB-C/J.83B RF channels.

- software switchable standards:
tdx440, tdx480: DVB-T/ISDB-T
tdq440, tdq480: DVB-C/J.83B
- integrated 2x8 multiswitch
- TS processing:
any service to any output
PCR restamping
service filtering
PSI/SI regeneration
NIT generation
PMT version monitoring
- BISS descrambling
- Web control and SNMP monitoring
- loop through RF distributing at input and output
- DIN rail or wall mounting
- robust die-cast housing
- connectors:
RF input/output - type F
Ethernet control interface - RJ-45
screw terminal block for DC entry
power distribution bus

- tdx480**
8 DVB-S/S2 transmodulator to 8 DVB-T/ISDB-T channels
- tdx440**
8 DVB-S/S2 transmodulator to 4 DVB-T/ISDB-T channels
- tdq480**
8 DVB-S/S2 transmodulator to 8 DVB-C/J.83B channels
- tdq440**
8 DVB-S/S2 transmodulator to 4 DVB-C/J.83B channels

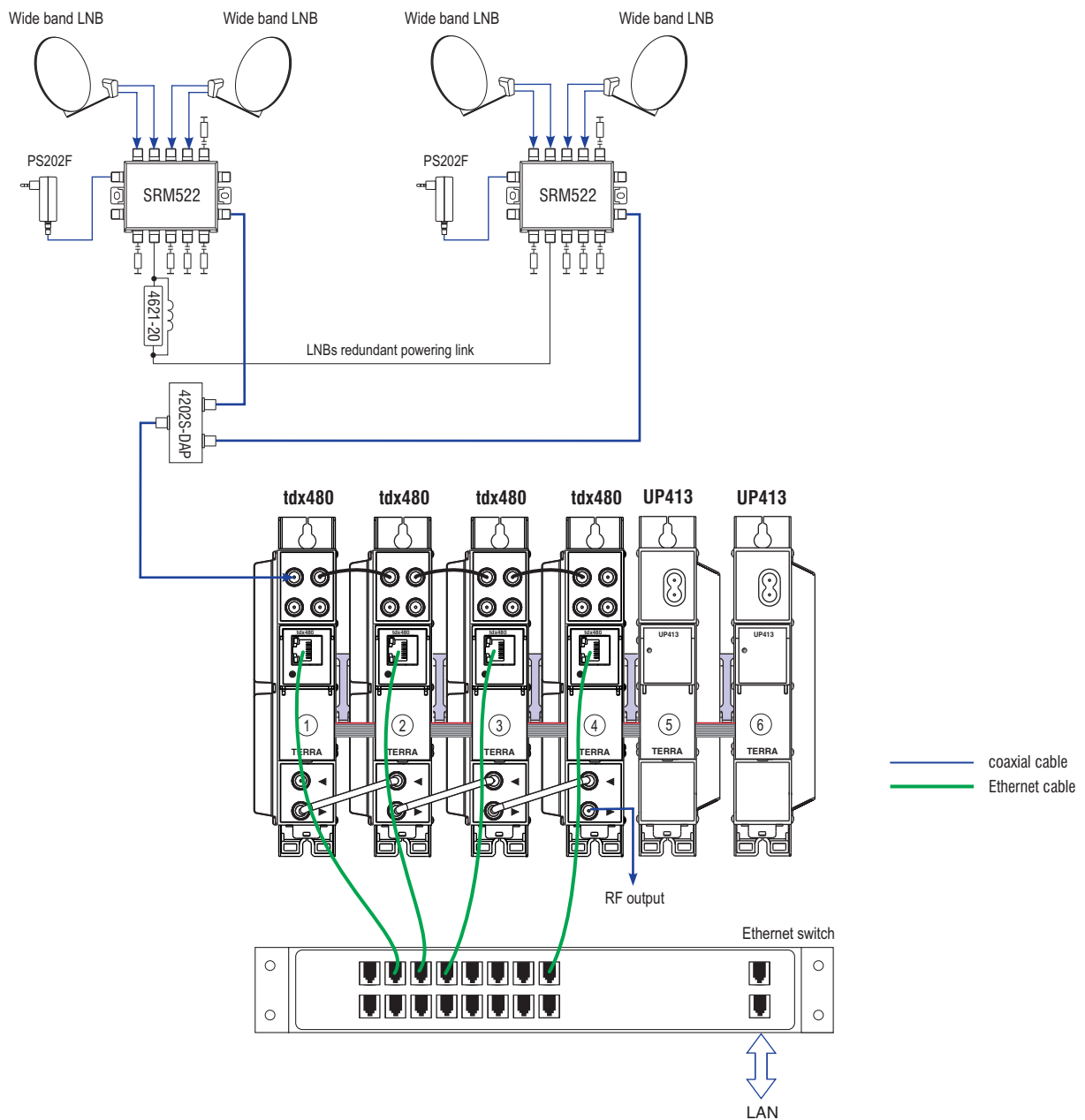


Technical specifications		tdx480	tdx440	tdq480	tdq440
TYPE					
Ordering number		03857	03868	03858	03869
Sections input/output		8/8	8/4	8/8	8/4
RF input	frequency range	950-2150 MHz			
	LNB powering/control	0/13/18 V & 22 kHz, 500 mA total, DiSEqC 1.0, EN50494, EN50607			
	level/impedance	55-95 dBμV / 75 Ω			
	modulation	QPSK, 8PSK (DVB S/S2)			
	symbol rate	2 ÷ 45 Ms/s			
	return loss	≥ 10 dB			
	RF input count	2			
loop through frequency range/loss		950-2150 MHz / ≤ 1.5 dB			
RF output	standard	DVB-T / ISDB-T		DVB-C / J.83B	
	modulation	QPSK, QAM16, QAM64		QAM16, QAM32, QAM64, QAM128, QAM256	
	frequency range	170-230 MHz / 470-862 MHz		96-862 MHz	
	channel allocation, adjacent	4 + 4	4	4 + 4	4
	level/impedance	90 ± 2 dBμV/75 Ω			
	TS bit rate	< 31 Mbit/s		< 53 Mbit/s	
	MER	≥ 35 dB		≥ 40 dB	
	channel bandwidth	7 MHz / 8 MHz		4...8.3 MHz	
	guard interval	1/4, 1/8, 1/16, 1/32		-	
	code rate	1/2, 2/3, 3/4, 5/6, 7/8		-	
	symbol rate	-		3.5 ÷ 7.2 Ms/s	
	return loss	≥ 10 dB			
	roll off	-		15%	
	transmission mode	2K	2K / 8K	-	
total output level adjustment	0 ÷ -15.0 dB by 1 dB step				
loop through frequency range/loss		45-862 MHz / ≤ 2.5 dB			
Management port		standard IEE802.3 10/100 Base T			
Current consumption*		12 V 1.1 A	12 V 0.8 A	12 V 1.1 A	12 V 0.8 A
Operating temperature range		0° ÷ +45° C			
Dimensions/Weight (packed)		48.5x198x112 mm/0.9 kg			

pr. software control * without external DC feeding

Modular reception system Application diagram

Application example of SAT TV content processing from 4 satellite orbit positions using wide band LNBS:
 # 1, 2, 3, 4 - 32 SAT transponders to DVB-T (FTA)
 # 5 & 6 - redundant powering



- SRM522 - cascadable single cable multiswitch
- PS202F - power supply
- tdx480 - octo transmodulator
- UP413 - power supply,
- 4202S-DAP - 2 way splitter
- 4621-20 - DC pass attenuator