



802.3at/af Gigabit Power-over-Ethernet Adapter

The EnGenius 802.3at/af Gigabit PoE Adapter gives network administrators the flexibility to extend power to PoE-compliant network devices in locations where power outlets may not be readily available, such as on ceilings or in crawl spaces, while also connecting them to the company network. By combining high-speed Gigabit and power over the same CAT5/6 cable, the EPA5006GAT ensures maximum device performance.

The EnGenius 802.3at/af Gigabit PoE Adapter supports high-speed data and up to 30-watts of power for compliant devices, such as Access Points, IP Cameras or VoIP phones, up to 328-feet away over a single CAT5/6 cable for flexibility in deployment options.

Compact optimal port design provides easy, precise installation. With disconnect, short-circuit and surge protection, valuable equipment is guarded from power surges or short-circuits associated with lightning strikes and electrostatic discharge (ESD).

Features

- Delivers both data & power to 802.3at/af PoE-compliant devices
- Ideal for connecting APs, IP Cameras, VoIP phones & more
- Optimal port design for easy mounting/positioning
- Compact design
- Extends power to unwired areas up to 328-ft./100m
- Gigabit Ethernet in & out ports for high-speed devices
- Disconnect, short-circuit & surge protection ensures reliable, secure connections
- Sends up to 30W of output power
- Mounts to walls or ceilings with included hardware

Technical Specifications

Standards

802.3 10BaseT
802.3u 100BaseT
802.3ab Gigabit Ethernet

802.3at/af Power-over-Ethernet

Maximum Output Power

30W

Compliance

IEC 60950-1:2005+A1
UL60950-1
ENS55022:2010
EN55024:2010
FCC Part 15 Class B
FCC, CE

Physical Interface

(1) Gigabit Data Port
(1) Gigabit Data & Power Output Port
(1) IEC-320 C6 AC Connector

LED Indicator

1 x Power on Green



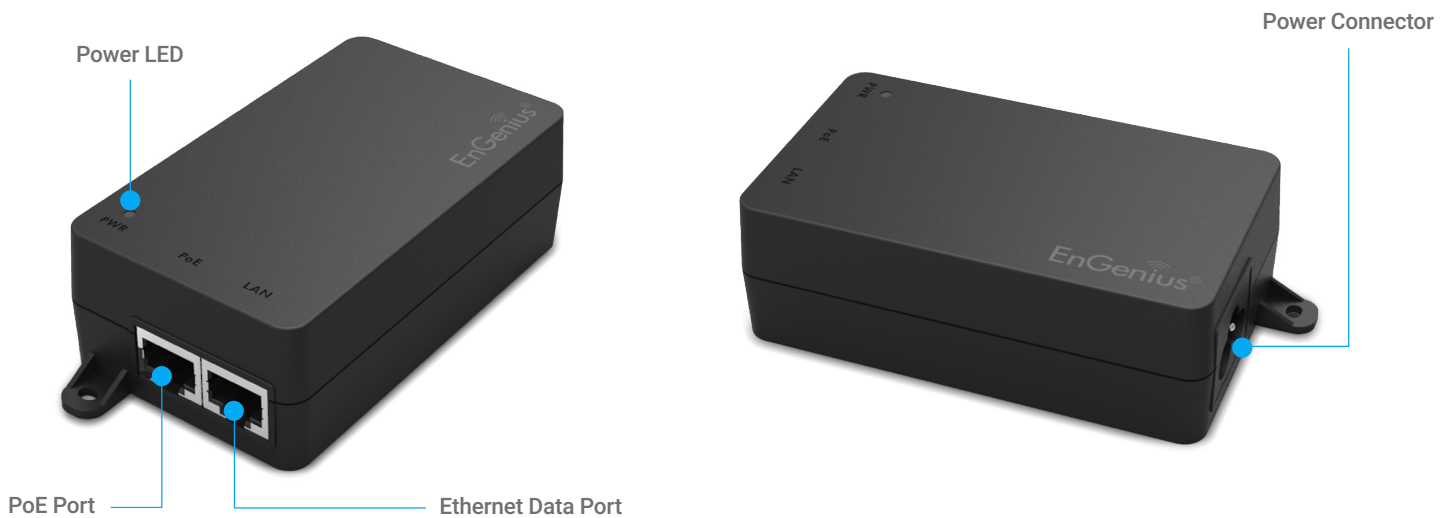
Technical Specifications continued

Mounting
Wall (anchors & screws included)
Power
Input Voltage
100 to 240VAC
Input Current
0.8A Max for 100VAC
AC Input Frequency
47-63Hz
Power Lines
Pin4, 5:54V, Pin7, 8:Return
Added Protection Features
Short-Circuit
Surge (over current/over voltage)

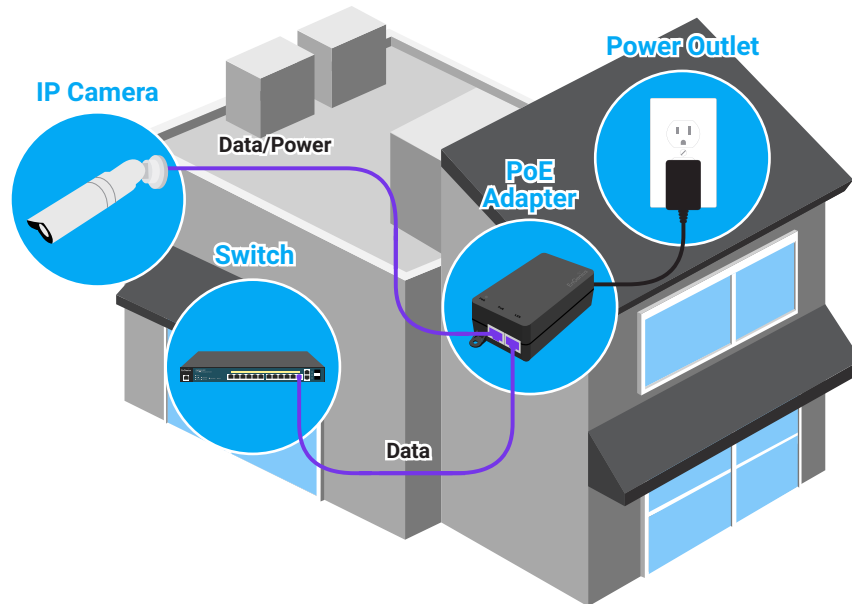
Environmental & Physical
Temperature Range
Operating: 32°F to 104°F (0°C to 40°C)
Storage: -22°F to 176°F (-30°C to 80°C)
Humidity (non-condensing)
Operating: 5 to 90% or less
Storage: 5 to 90% or less
Dimensions & Weights:
EPA5006GAT Device (Without Mounting Kit)
Weight: .33 lbs (149.6 g)
Length: 3.9" (99 mm)
Width: 2.27" (68.5 mm)
Height: 1.3" (33 mm)

Packaging
Weight: .57 lbs (258.5 g)
Length: 5.4" (139 mm)
Width: 4.8" (122.5 mm)
Height: 2" (52 mm)
Package Contents
EPA5006GAT Gigabit PoE Adapter
Power Supply
Warranty
1 Year

EPA5006GAT Gigabit PoE Adapter



EPA5006GAT Gigabit PoE Adapter Application



Maximum data rates are based on IEEE 802.11/802.3 standards. Actual throughput and range can vary depending on many factors including environmental conditions, distance between devices, radio interference in the operating environment and mix of devices in the network. Features and specification subject to change without notice. Trademarks and registered trademarks are the property of their respective owners. All rights reserved.

EnGenius Networks Europe BV

Fellenoord 180, 5611 ZB Eindhoven - Nederland

e | sales@engeniushnetworks.eu t | +31 40 8200 888 w | www.engeniushnetworks.eu

Version 20180213EN

Features and specifications subject to change without notice. Trademarks and registered trademarks are the property of their respective owners. All rights reserved.