

Smart Wire-Free Security Camera System

Model: Tapo C420S2



Secure. Smart. Easy.

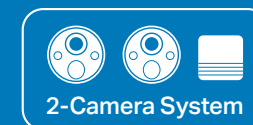
 **180-Day Battery Life***

 **Full-Color Night Vision**

 **Starlight Sensor**

 **Smart AI Detection and Notification**

 **IP65 Weatherproof**



// Highlight

Full-Color in the Night

Offer full-color and sharp views day and night, rain or shine.

Smart AI Detection and Notification

Smart AI identifies people, pets, and vehicles, notifying users as needed.

// Features



2K QHD

Now with 1.7 times more pixels than 1080p, providing clearer videos and photos.



180-Day Battery Life*

The rechargeable and removable battery with a low-power protocol extends your usage.



Wire-Free Placement

No wires means you can place the cameras almost anywhere inside or outside – whatever works for you!



Sound and Light Alarm

Trigger sound and light as an alarm when motion is detected.



Two-Way Audio

Enables communication through a built-in microphone and speaker.



IP65 Weatherproof

Helps Tapo C420S2 perform well even in harsh environments with rain and dust.



Flexible Storage Choices

Save recorded videos on the hub-installed microSD card† (up to 512 GB) or by using Tapo Care** cloud storage services.

// Specifications

Camera

- Image Sensor: 1/3"
- Resolution: 2K QHD (2560 × 1440 px)
- Night Vision: 850 nm IR LED up to 49 ft/15m
- Lens: F/NO: 1.61±10%; Focal Length: 3.18mm±5%
- View Range: 113°

Audio

- Audio Communication: 2-way audio
- Audio Input & Output: Built-in microphone and speaker

Video

- Video Compression: H.264
- Frame Rate: 15/20 fps
- Video Streaming: 2K QHD
- Audio Compression: G.711

Activity Notifications

- Input Trigger: Motion detection, Person detection, Pet detection, Vehicle detection.
- Output Notification: Notification, Snapshot(Tapo care), Clips(Tapo care).

Network

- Wireless Protocols: IEEE 802.11b/g/n, 2.4 GHz
- Frequency: 2.4 GHz
- Wireless Security: WPA/WPA2-PSK
- Security: 128 bit AES encryption with SSL/TLS
- Protocol: TCP/IP, ICMP, DNS, HTTPS, TCP, UDP

// Specifications

Hardware

- Camera Adapter Input: 100-240V, 50/60Hz
- Camera Adapter Output: 5.0V, 1.0A
- Camera Typical Power Consumption: 0.928W
- Camera Maximum Power Consumption: 2.39W
- Hub Adapter Input: 100-240V, 50/60Hz, 0.3A
- Hub Adapter Output: 9.0V, 0.85A
- Hub Maximum Power Consumption: 9W
- External Storage: microSD card slot †(Supports up to 512 GB)
- Camera Dimensions (L x W x H): 4.35 x 2.52 x 2.52in. (110.6*64.2*64.2mm)
- Hub Dimensions (L x W x H): 2.8 x 2.8 x 1.2 in. (71.45*71.45*31.25mm)

†microSD card needs to be purchased separately.

*180-day battery life is based on TP-Link's laboratory testing with 10-20 triggered events per day. Actual battery life may vary based on device settings, use, and environmental factors.

**Tapo Care needs to be subscribed separately.

Specifications are subject to change without notice. All brands and product names are trademarks or registered trademarks of their respective holders.

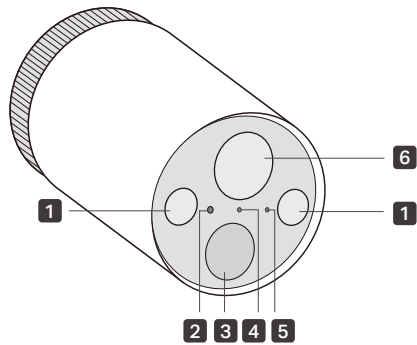
©2023 TP-Link

Others

- Certification: CE, RoHS, RCM
- Package Contents:
 - Tapo C420 Cameras (Battery Included)
 - Tapo H200 Hub
 - USB Adapter
 - USB Adapter Cable
 - DC Power Adapter
 - Mounting Screws
 - Mounting Templates
 - Camera Brackets
 - Quick Start Guide
 - RJ45 Ethernet Cable
- Operating Temperature: -20°C~45°C(-4°F ~113 °F)
- Storage Temperature: -20°C~60°C (-4°F~140°F)
- Operating Humidity: 10%~90%RH, Non-condensing
- Storage Humidity: 5%~90%RH, Non-condensing

// Device Appearance

Front



1 Spotlights

2 Light Sensor

3 Motion Sensor

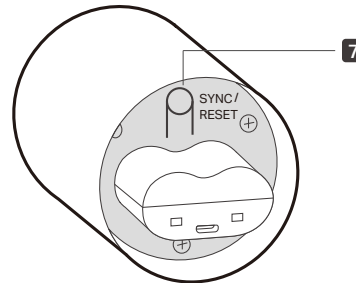
4 Status LED

Indicate the status of your camera.

5 Microphone

6 Lens

Back



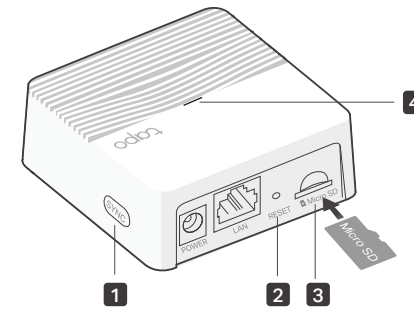
7 SYNC/RESET Button

While the camera is powered on:

Press for 1 second: Pair with the hub

Press and hold for about 5 seconds: Reset the camera

Hub Appearance



1 SYNC Button

Press to pair with the camera, or silence the hub when it rings.

2 RESET

Use a pin to press and hold for about 5 seconds until the hub LED quickly blinks red to reset the hub.

3 microSD Card Slot

Insert a microSD card to record camera videos locally. Initialize the microSD card within the Tapo app first. *microSD card not included.

4 Status LED

Indicate the status of your hub.

Notes: Connect up to 4 cameras to a hub.