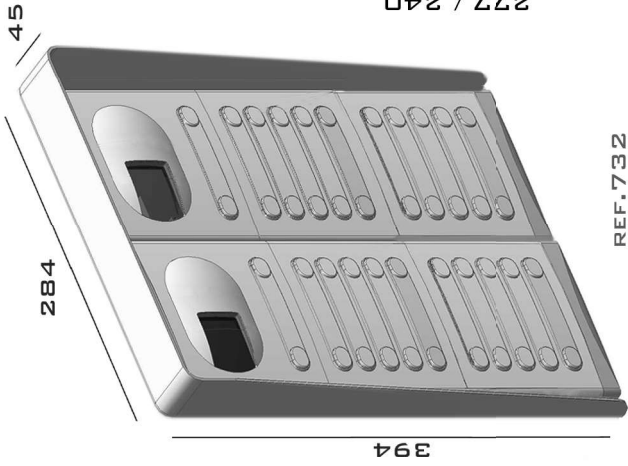
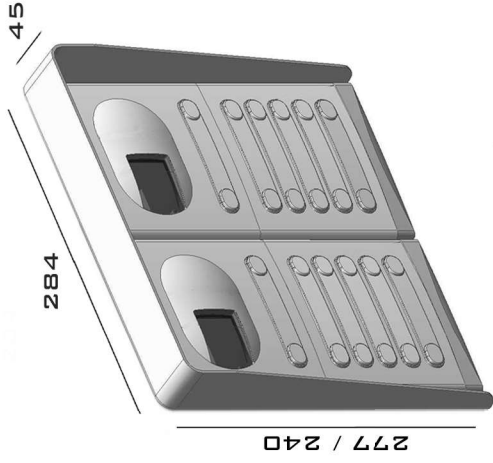




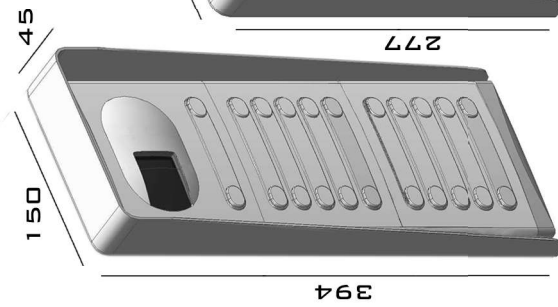
# VISERA RAIN SHIELD



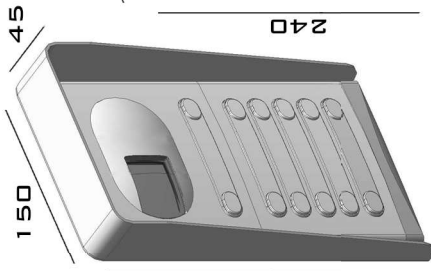
REF.732



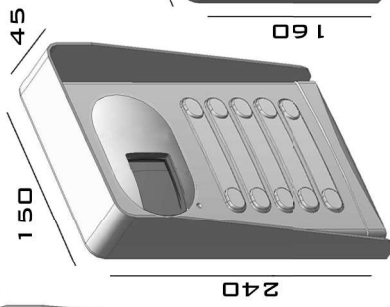
REF.722 / REF.725



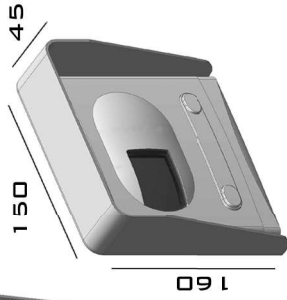
REF.731



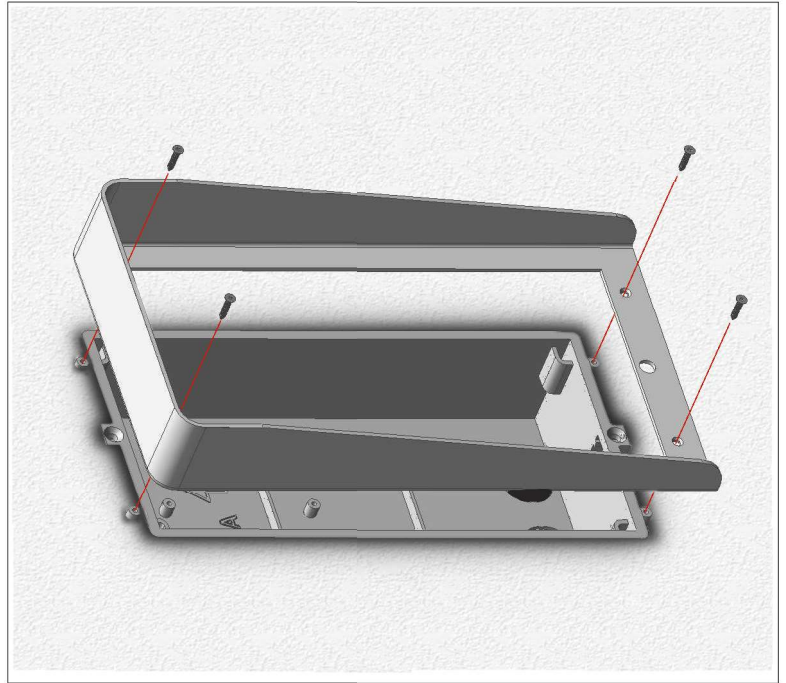
REF.721



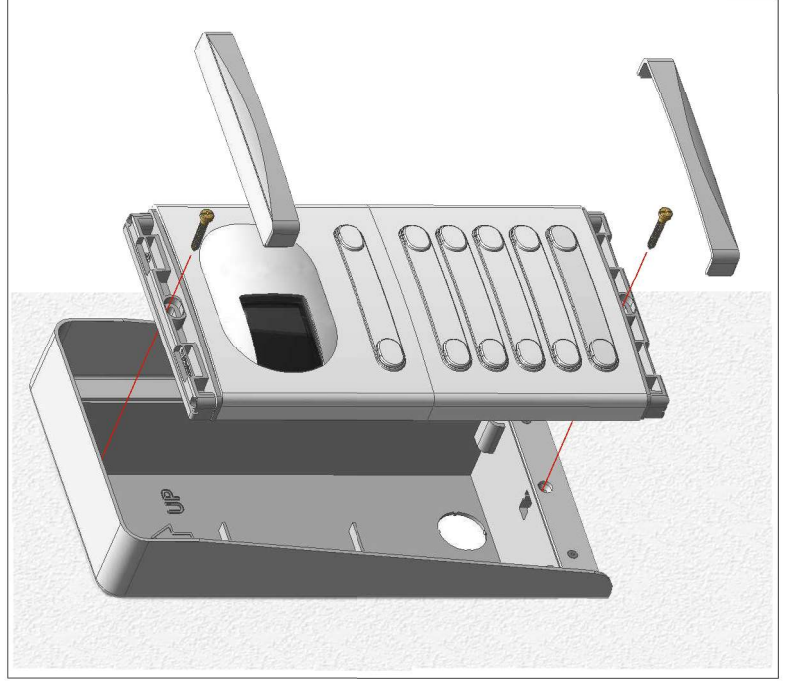
REF.705



REF.711



1. COLOCAR VISERA  
1. FIX THE RAIN SHIELD



P4026158

2. COLOCAR PLACA  
2. FIX THE PANEL