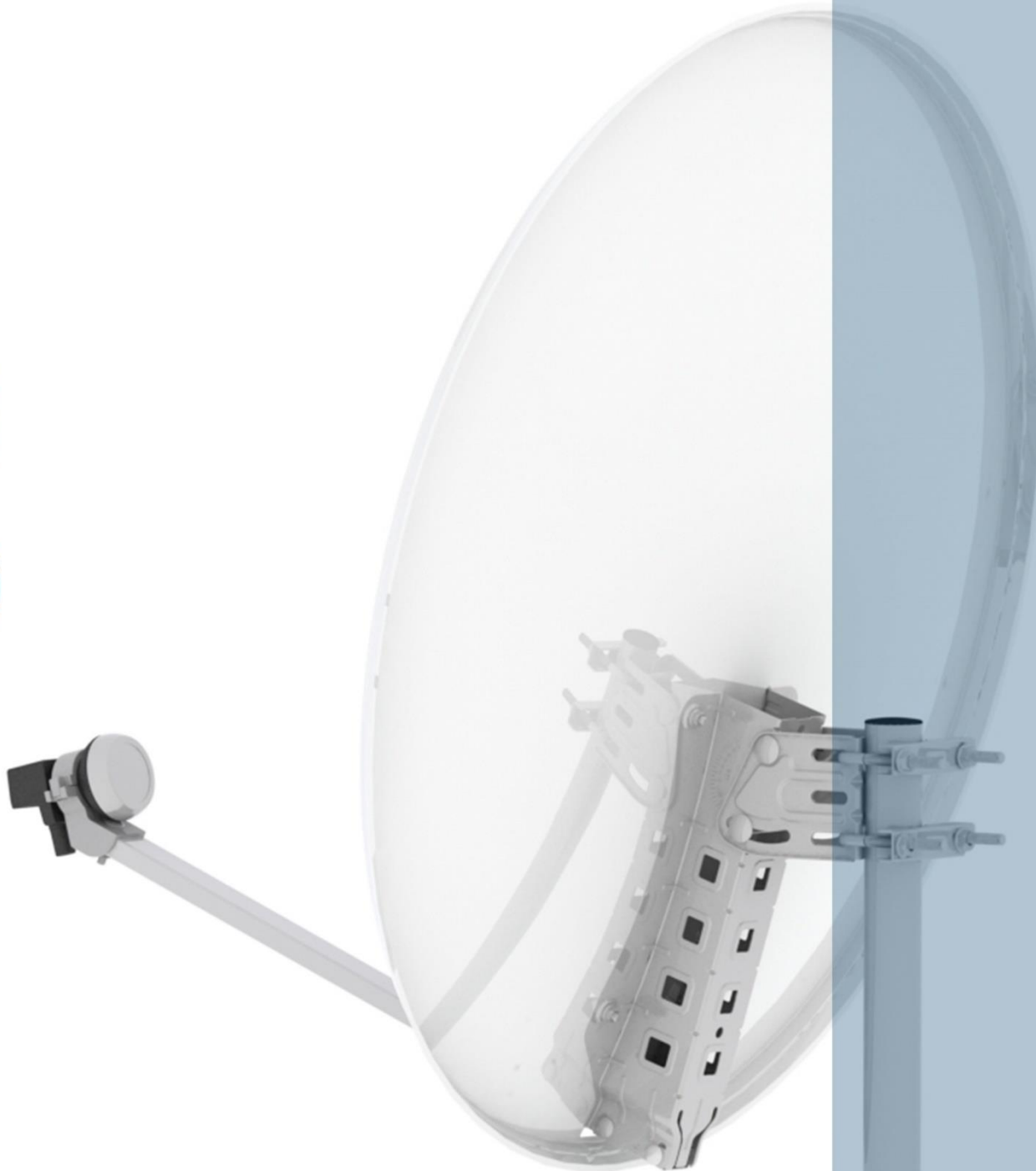


80 QD

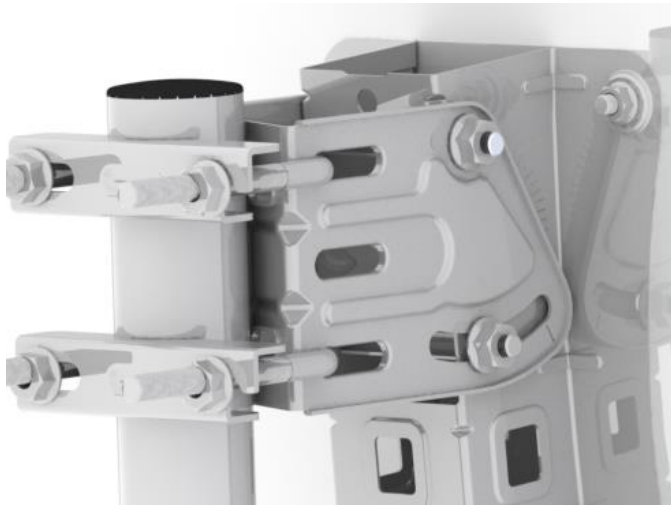


sinuta 

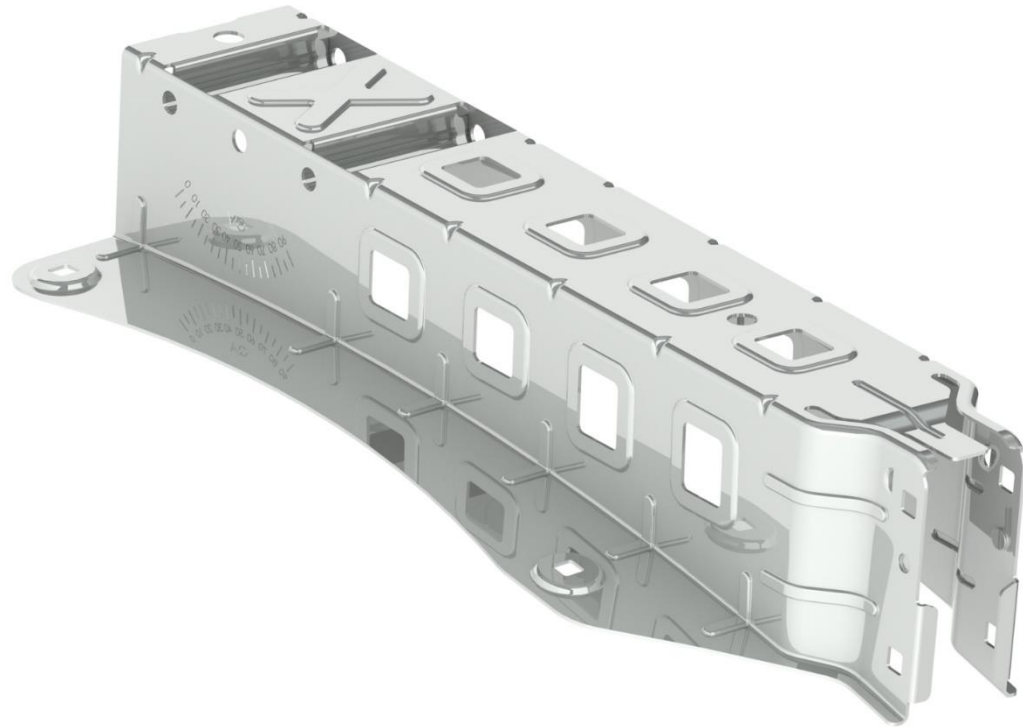
**Satellite Antenna
Technical Brochure**

Confidential Document

3D Photo Documentation I



3D Photo Documentation II



80 QD

Satellite Antenna
Technical Brochure
Confidential
Document

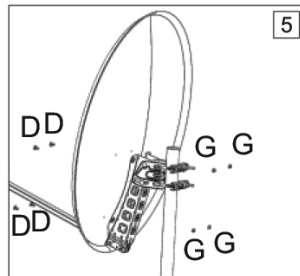
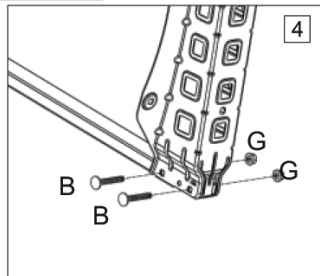
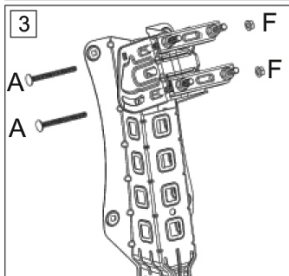
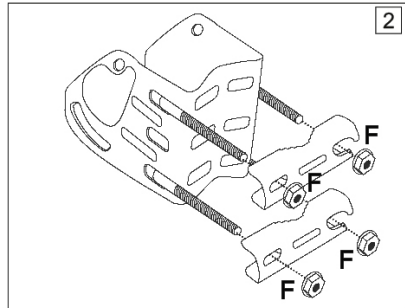
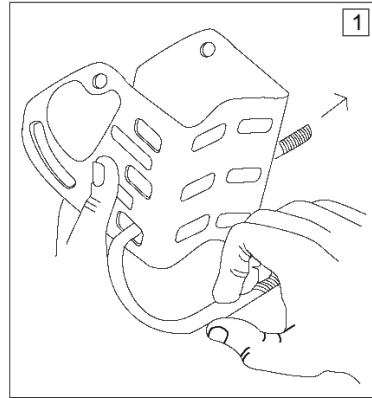
Technical Specifications

Type	Offset
Offset (°)	24
Reflector Diameter (mm)	730 x 800
Focal Distance (mm)	467
F/D Ratio	0.64
Frequency Range (GHz)	10.70 – 12.75
Efficiency (%)	> 70
Reflector Material	Galvanized Steel / Aluminium
Reflector Thickness (mm)	0.6 / 0.8
Polarization	Linear/Circular
Gain @ 10,7 GHz (dBi)	36.5
Gain @ 11,7 GHz (dBi)	37.4
Gain @ 12,7 GHz (dBi)	38.0
Elevation Adjustment Range (°)	Min – 29 / Max – 56
Azimuth Adjustment Range (°)	360
Mast Pipe Interface (mm)	40 - 60
Feed Interface Diameter (mm)	40
-3 dB Beamwidth on azimuth	2.2° at 12,75 GHz
-3 dB Beamwidth on elevation	2.2° at 12,75 GHz
Operational Windload (Km/h)	72 (IEC1114-2 Standard)
Survival Windload (Km/h)	144 (IEC1114-2 Standard)
Destructive Windload (Km/h)	216 (IEC1114-2 Standard)

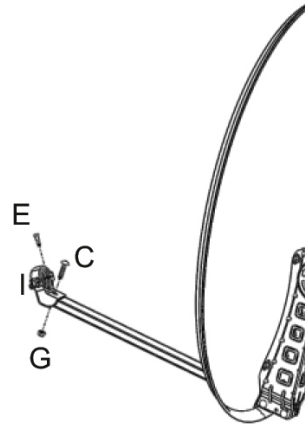
Remarks: The antenna test was carried out in laboratory and it guarantees the quality control for the production of our antennas. Each new model is tested in laboratory and the production quality is regularly tested in compliance to laboratory tests.

A/F080QD
A/F085QD

A		M8 x 90 Oval head, short neck	2
B		M6 x 45 Oval head, long neck	2
C		M6 x 25 Oval head, short neck	1
D		M6 x 12	4
E		M4 x 18	1
F		M8 nut	6
G		M8 R6 nut	7
I			2
J			1
K		M8 x 240	2



6



Made of 100% recyclable material. Please separate the card, plastic and metal.

